

DISCHARGE UNIT – DUC

The DUC discharge unit is specially designed to prevent bridging of product at the hopper outlet (up to 5 m³).

A rotating paddle inside the hopper cone keeps the product in motion. When mixed products are used, the rotating blade avoids product separation at the hopper outlet.

The DUC guarantees a smooth flow of product and maximizes the filling efficiency of the component installed below the unit (e.g. a rotary valve).

Available sizes

Size DUC	200
----------	-----



Specifications

- ▶ Prevents bridging of product at the hopper outlet
- ▶ Smooth flow of material
- ▶ Maximum discharge efficiency
- ▶ Cast housing, explosion proof construction
- ▶ Compact form
- ▶ Easy clean features
- ▶ No separation of premixed product

Product Information

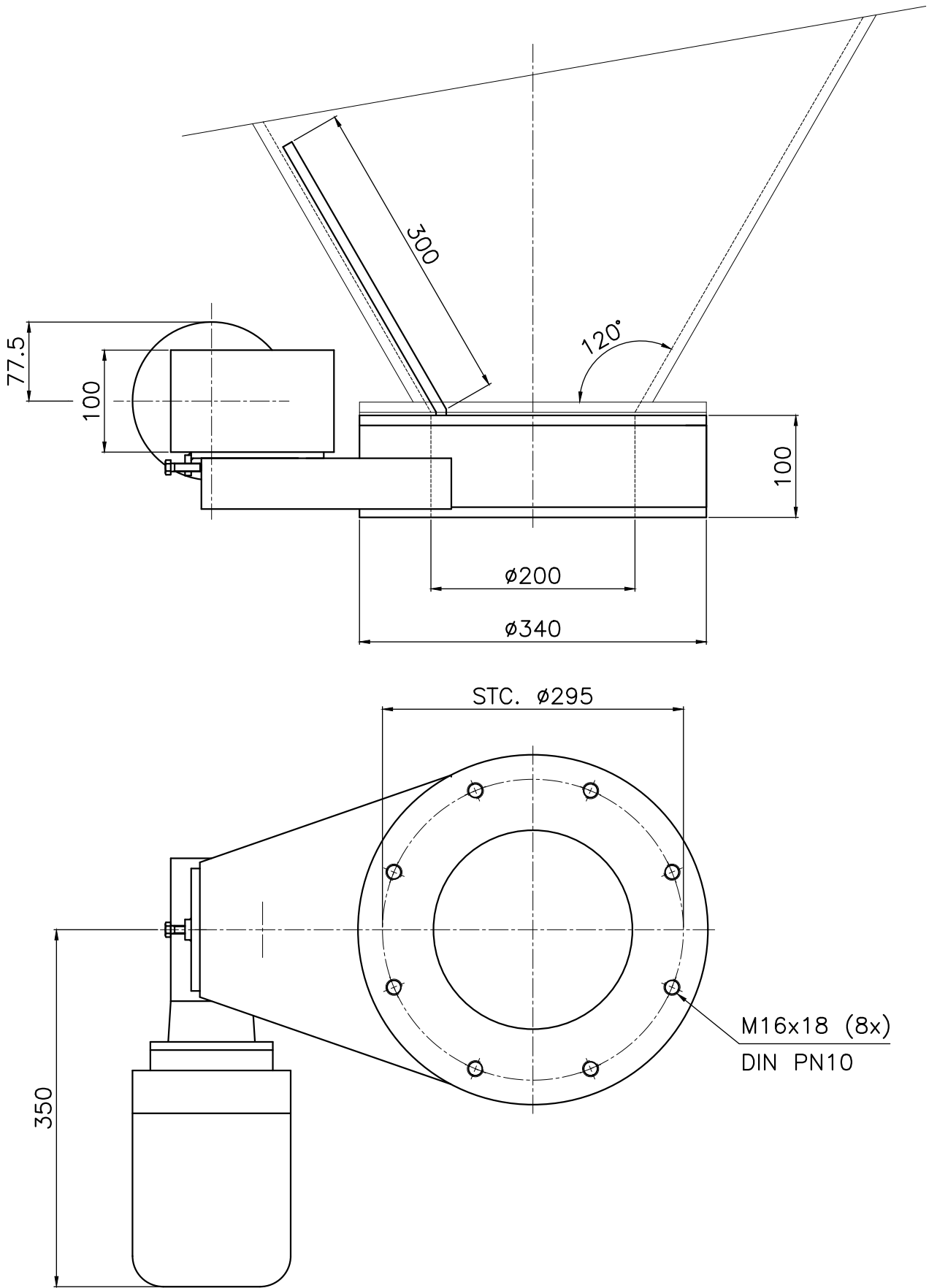
The housing is made of cast stainless steel. The complete construction is explosion proof. Flanges and all product contact surfaces are in stainless steel.

The discharge unit is equipped with specially designed seals to withstand internal pressures up to 1 barg at +100°C.

Application

The DUC is suitable for application with silo and hopper extraction.

Continued on next page ▶▶



Technical modifications are possible, dimensions in mm.