



BLOWING SEAL – BL/BXL/BXXL DAIRY

The BL/BXL/BXXL Dairy rotary valves are suitable for industries where stringent standards apply. The Dairy valves have an official USDA certificate of acceptance for use in dairy plants and are optionally available conforming to the EC 1935/2004 directive.

The construction of the valve is designed to avoid bacteriological contamination. All product contact surfaces are in food-grade material and smoothly polished.

The BL/BXL/BXXL Dairy valves are optionally available in MZC execution with supporting rails for easy removal of the end cover and rotor without damaging the housing. The MZC valves

are easily detachable within minutes.

Available sizes and capacity

Size BL	150	175	200	250	300	350
Size BXL		200	250	300	350	
Size BXXL					350	
Capacity* LTR/REV.	2.5	5.5	10.5	19	34	58

*Capacity per revolution at 100% filling



Specifications

- ▶ USDA Dairy accepted
- ▶ EC1935/2004 conformity available
- ▶ Easy removal of the rotor for fast and efficient cleaning
- ▶ Smooth product contact surfaces in food-grade material
- ▶ Rotor pockets radiused and polished to Ra=0,8 µm (150 grit)
- ▶ Rotor vanes chamfered on all edges
- ▶ ATEX Autonomous Protective System (APS) certification available
- ▶ ATEX 2014/34/EU certification available
- ▶ EHEDG Type ED class II certification available

Product Information

The body and end covers are AISI 316 stainless steel (DIN 1.4408). The rotor is AISI 316L stainless steel (DIN 1.4404). For special applications, internal and external mirror polishing of the valve is possible.

For the BL/BXL/BXXL valves, tri-clamp connections on blow through channel are also available. The shaft sealing utilizes gland packing or air purge.

The standard models are suitable for temperatures up to +150°C and pressure up to 2 barg.

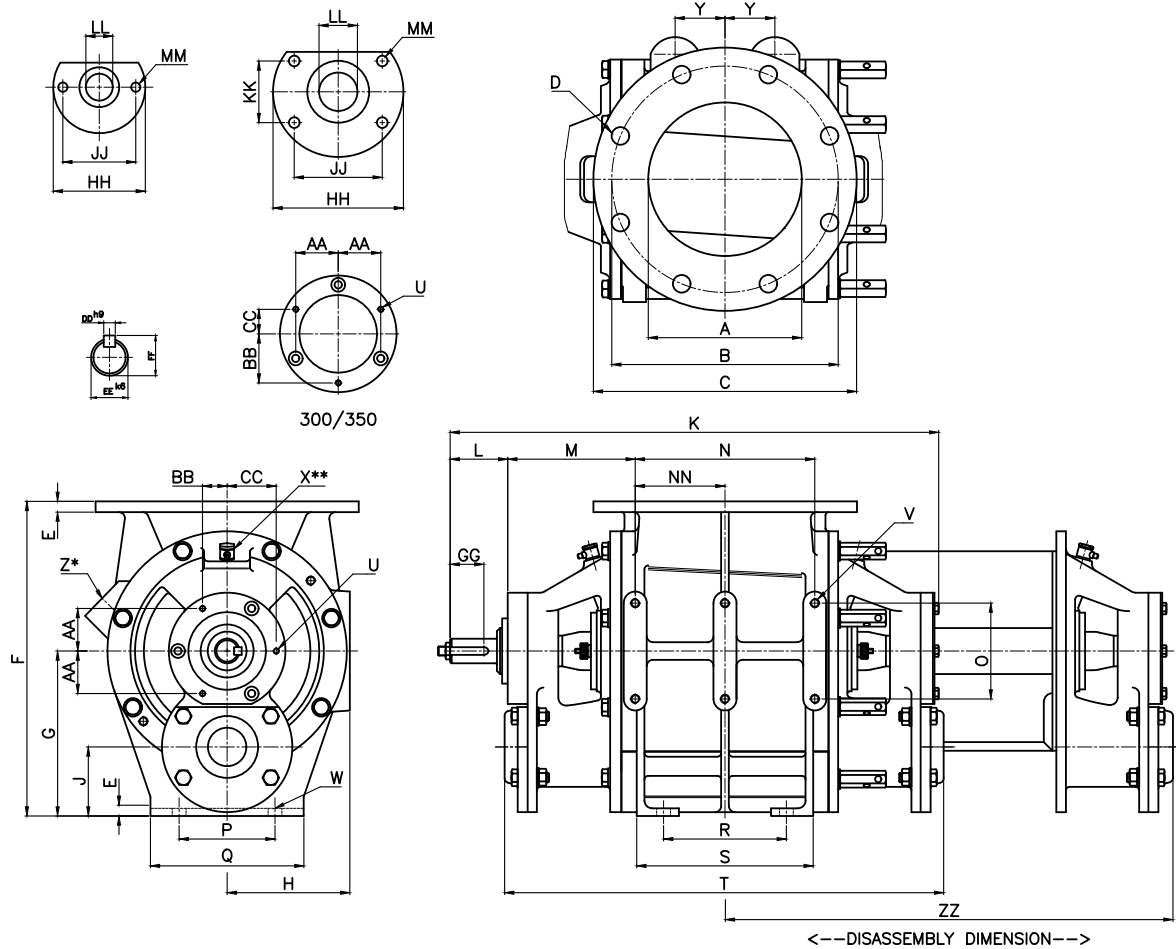
ATEX Autonomous Protective System (APS) certified configurations are available up to 10 barg.

Application

The BL/BXL/BXXL Dairy is suitable for the following industries:

- ▶ Plastics
- ▶ Food
- ▶ Pet food
- ▶ Dairy
- ▶ Cosmetics
- ▶ Batteries
- ▶ Pharmaceutical
- ▶ Infant formula
- ▶ Chemicals

Continued on next page ▶▶



BL DAIRY

BXL DAIRY

TYPE		DIN										ANSI																
BL	BXL	Ltr/rev	ØA	ØB	D	ØC	ØB	D	E	F	H	ØA	ØB	D	ØC	ØB	D	E	F	H	G	J	K	L	M	N	NN	O
150		2,5	150	240	8xØ23	285	241,3	8xØ22,2	12	295	110							295	155	65	521	72	151	146	-	100		
175	200	5,5	175	270	8xØ23	315	-	-	14	340	130	200	295	8xØ23	343	298,4	8xØ22,2	14	340	165	175	75	561	72	149	190	-	100
200	250	10,5	200	295	8xØ23	343	298,4	8xØ22,2	14	410	160	250	350	12xØ23	406	361,9	12xØ25,4	16	410	197,5	215	90	646	84	166	234	-	125
250	300	19	250	350	12xØ23	406	361,9	12xØ25,4	16	470	190	300	400	12xØ23	483	431,8	12xØ25,4	21	470	222,2	245	100	696	84	166	284	142	125
300	350	34	300	400	12xØ23	483	431,8	12xØ25,4	21	565	225	350	460	16xØ23	530	476,2	12xØ28,6	21	464	225	295	120	804	80	185	360	180	125
350		58	350	460	16xØ23	530	476,2	12xØ28,6	26	26	270							665	335	132	874	80	190	420	210	125		

TYPE		P	Q	R	S	T	U	V	W	X**	Y	Z*	AA	BB	CC	DD	EE	FF	GG	HH	JJ	KK	LL	LL MAX	MM	ZZ
150		110	140	100	154	462	3xM6	4xM10	4xØ12 ¼"(Ø10)	40	UNE F 1½"	37.1	37.1	52.5	8	30	33	35	120	95	-	35	50	2xØ12	540	
175	200	130	160	130	190	502	3xM6	4xM10	4xØ14 ¼"(Ø10)	53	UNE F 1½"	37.1	37.1	52.5	8	30	33	35	140	103.9	60.4	50	65	4xØ12	600	
200	250	160	200	160	230	572	3xM8	4xM12	4xØ18 ¼"(Ø10)	65	UNE F 1½"	55.4	32	64	10	32	35	43	170	114.7	80.3	50	80	4xØ14	700	
250	300	170	210	200	274	622	3xM8	6xM12	4xØ18 ¼"(Ø10)	75	UNE F 1½"	55.4	32	64	10	32	35	43	190	125	100	70	100	4xØ14	775	
300	350	190	240	260	350	724	3xM10	6xM12	4xØ23 ¼"(Ø10)	95	UNE F 1½"	73.6	85	42.5	10	38	41	44	230	163.8	114.7	100	125	4xØ14	915	
350		220	270	310	410	794	3xM10	6xM12	4xØ23 ¼"(Ø10)	112	UNE F 1½"	73.6	85	42.5	10	38	41	44	244	152	152	150	150	4xØ14	1000	

BXXL DAIRY

TYPE		DIN										ANSI									
BXXL	Ltr/rev	ØA	ØB	D	ØC	ØB	D	E	F	H	G	J	K	L	M	N	NN	O			
350	19	350	460	8xØ23	285	476,2	12xØ28,6	26	535	222,5	255	100	696	84	166	284	142	125			

TYPE		P	Q	R	S	T	U	V	W	X**	Y	Z*	AA	BB	CC	DD	EE	FF	GG	HH	JJ	KK	LL	LL MAX	MM	ZZ
BXXL		170	210	200	274	622	3xM8	6xM12	4xØ18 ¼"(Ø10)	75	UNE F 1½"	55.4	32	64	10	32	35	43	190	125	100	70	100	4xØ14	775	

* Standard pre-drilled for cast iron

** Air purge connection

Technical modifications are possible, dimensions in mm.