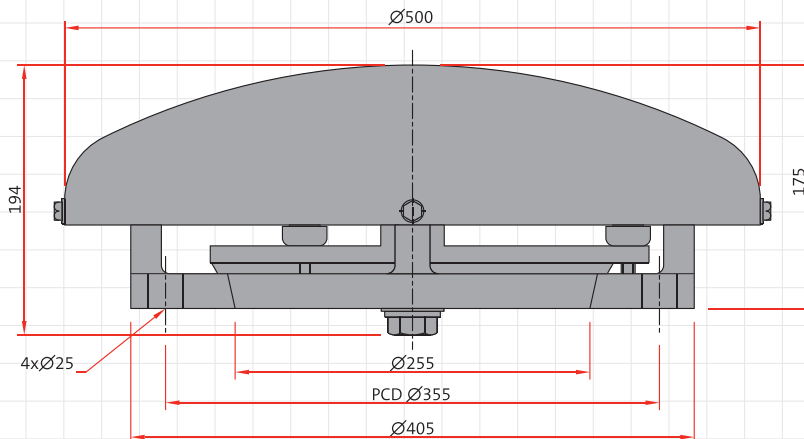


PRV

Dimensions PRV



Flow rate characteristics

Approximate value (air $\gamma=1,22$)

